



# SATELIS

## Solar Area Lights

SATELIS meets the lighting requirements for major roads and highways. Equipped with more powerful solar panels and higher capacity lithium battery packs to ensure battery run time, SateLis is the spec-grade LED solar lighting solution for most commercial applications.

For more information, please visit our website:  
[www.soltechlighting.com](http://www.soltechlighting.com)

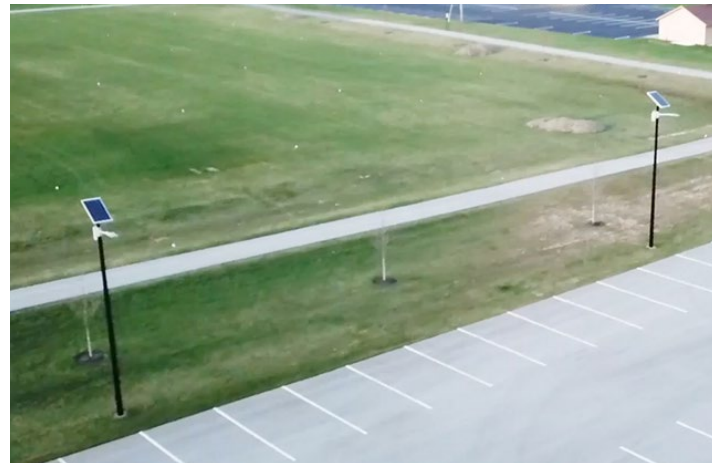
# APPLICATIONS

## 50W, 75W SATELIS Area Lights

This commercial-grade series is ideal for highways, city streets, large parking lots and area lighting. It comes with a wide choice of configurations, lumen outputs, pole heights, and it's optimized for high efficiency and long-term performance.



**VIEW. Inc**  
Olive Branch, MS  
Packing Lot Lighting Project



**South Main Street**  
Jackson Center, OH  
Parking Lot Lighting Project

# FEATURES

## 50W, 75W SATELIS Area Lights



### Powerful Panel & Powerful Lighting

- 2\*130W Dual Panels and 2\*75W Dual lighting head option
- 1,500LM at 200 LM/W highest efficiency in the industry



### Modular & Customizable Concept

- Modular battery box with fast hooking design and IP68 underground options
- Top mounting or under mounting panel options
- Reduce the construction time for building projects
- TYPE III lens module available along with other options



### Longer Life & Heavy Duty

- Grade A LifePO<sub>4</sub> Battery Pack up to 25V\*90AH, 2000+ full Charging cycles
- LEVEL 12 Wind Test



### Standardized Lighting Design

- Illumination where you need it with scheduled dimming
- Meets IES standards for road illumination
- Solar clean energy solution that also meets street and area light compliances

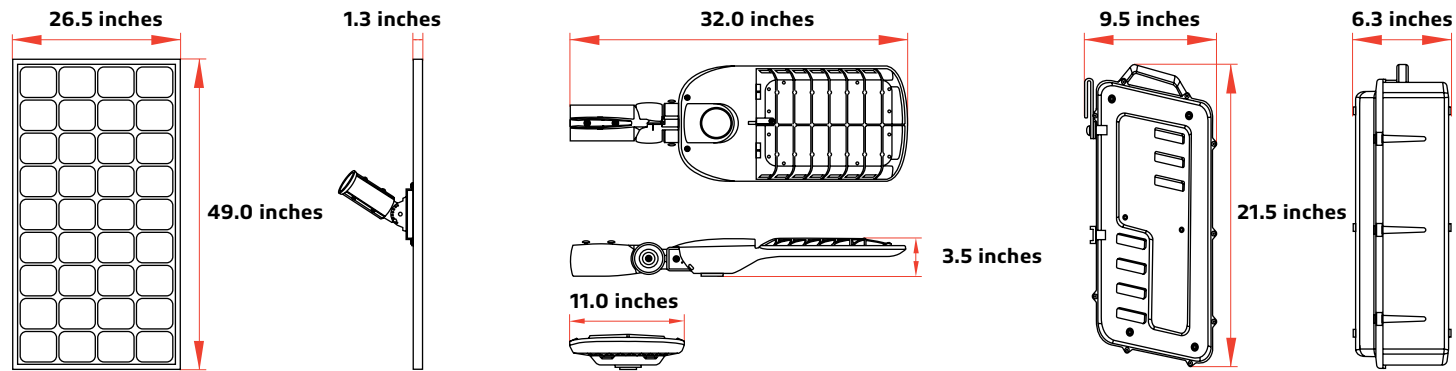
## SATELIS 75W



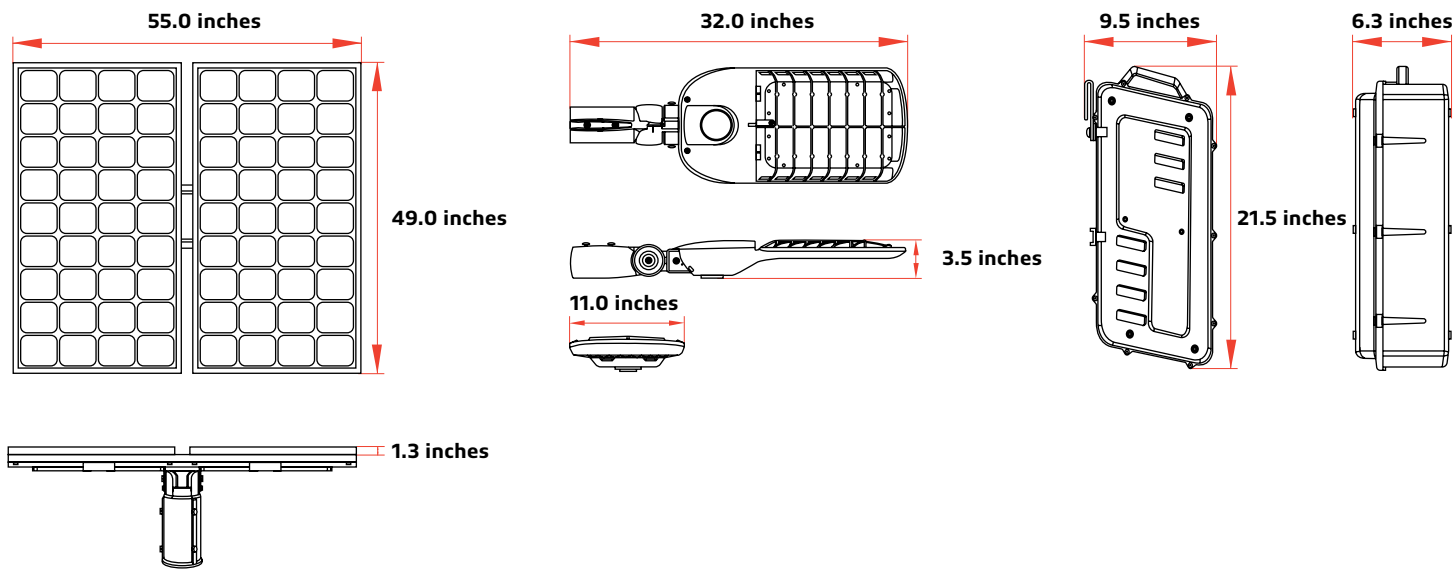
## SATELIS 50W

# DIMENSIONAL DRAWINGS

## SATELIS 50W



## SATELIS 75W



# DESIGN & PERFORMANCE

## 50W, 75W SATELIS Area Lights

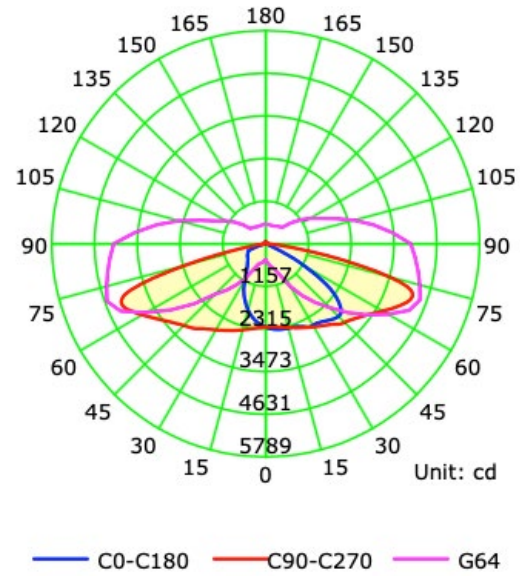
SATELIS Series is designed to withstand the most extreme weather and harsh environments. Featuring a 50-150 watt LED fixture, up to 2 solar panels, and an output of up to 15,000 lumens, Satelis is perfect for most commercial applications.

SPECIFICATIONS	SATELIS 50W		SATELIS 75W	
	50W	50W	75W	75W
LED NOMINAL POWER	50W	50W	75W	75W
SOLAR PANEL	36V 130W	36V 130W	36V 260W	36V 260W
LiFePO <sub>4</sub> BATTERY	768WH 25.6V 30AH	1536WH 25.6V 60AH	1536WH 25.6V 60AH	2304WH 25.6V 90AH
WEIGHT	91.8 Lbs	107.6 Lbs	135.6 Lbs	150.6 Lbs
LUMEN OUTPUT@5000K	10,000	10,000	15,000	15,000
EPA	11.3	11.3	18.1	18.1
IP RATING	IP65	IP65	IP65	IP65
CRI	CRI > 70 (>80 Optional)	CRI > 70 (>80 Optional)	CRI > 70 (>80 Optional)	CRI > 70 (>80 Optional)
CASTING	ALUMINUM	ALUMINUM	ALUMINUM	ALUMINUM
EFFICIENCY@5000K	200 LM/W	200 LM/W	200 LM/W	200 LM/W
LED CHIP	Lumileds 5050 (215 LM-CR>70)	Lumileds 5050 (215 LM-CR>70)	Lumileds 5050 (215 LM-CR>70)	Lumileds 5050 (215 LM-CR>70)
* CHARGING TIME	6 Hrs	12 Hrs	5 Hrs	9 Hrs
RUN TIME (@FULL POWER)	15 Hrs	30 Hrs	20 Hrs	20 Hrs
OPERATION MODE	REMOTE CONTROL AND ONE-KEY SETTING	REMOTE CONTROL AND ONE-KEY SETTING	REMOTE CONTROL AND ONE-KEY SETTING	REMOTE CONTROL AND ONE-KEY SETTING
INSTALLATION HEIGHT	15 to 20 ft	15 to 20 ft	15 to 20 ft	15 to 20 ft
* OPERATING TEMPERATURE	-4 °F to 122 °F	-4 °F to 122 °F	-4 °F to 122 °F	-4 °F to 122 °F
* CHARGING TEMPERATURE	32 °F to 149 °F	32 °F to 149 °F	32 °F to 149 °F	32 °F to 149 °F

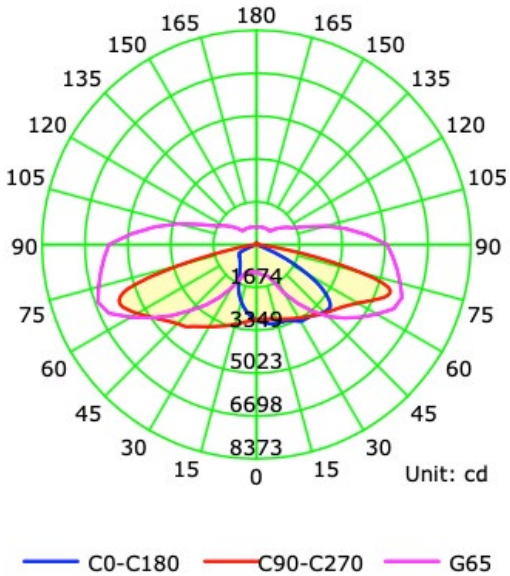
\* The temperature can impact the battery's charging and normal operation.  
\* The solar charge time data is base on 77 degree F ambient temperature with the panel pointed directly at the solar radiation. The standard radiation value is 1000W/m<sup>2</sup>.

# PHOTOMETRY

## SATELIS 50W



## SATELIS 75W



# PRODUCT NUMBER BUILDER

Example: TLSTD0503SFGY

This example product number is for SATELIS 50 watt, 3000K CCT, Slip Fitter installation, with a gray finish.

SERIES	WATTAGE	COLOR TEMPERATURE	MOUNTING OPTIONS	FINISH
TLSTD=SATELIS	050=50W 10000 LUMENS 075=75W 15000 LUMENS	X=3=3000K X=4=4000K X=5=5000K X=6=5700K	YY=SF=SLIP FITTER	ZZ=GY=GRAY ZZ=BZ=BRONZE

Sample Number: TLSTD050XYYZZ

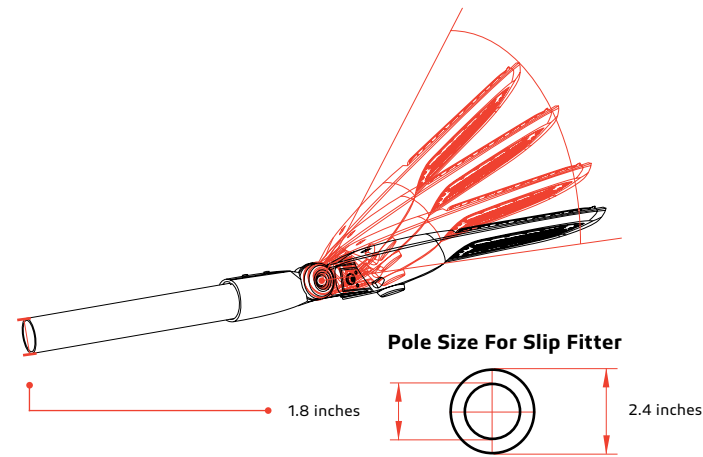
Please **DO NOT** send the generic sample number directly to our salesperson. Use the information in the chart, above, to create a model number with the correct series, wattage, CCT, mounting options, and finish for the product options that you want.



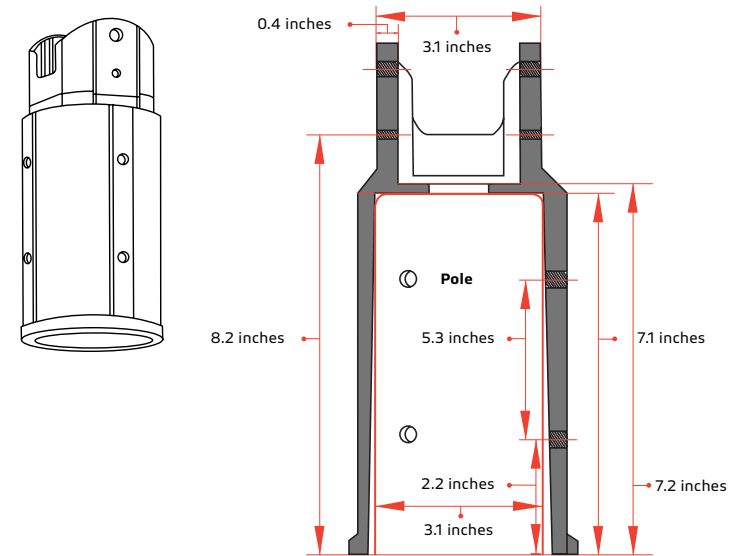
# MOUNTING ACCESSORIES (50W, 75W)



## SLIP FITTER

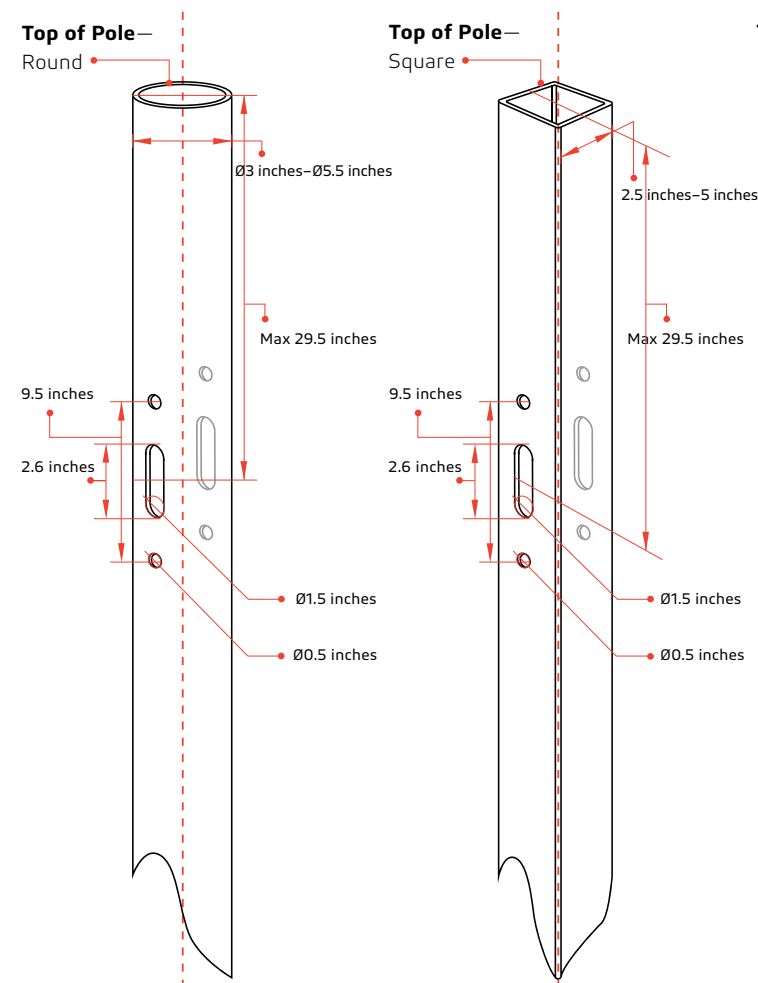


## SOLAR PANEL SUPPORT BASE—CUTAWAY



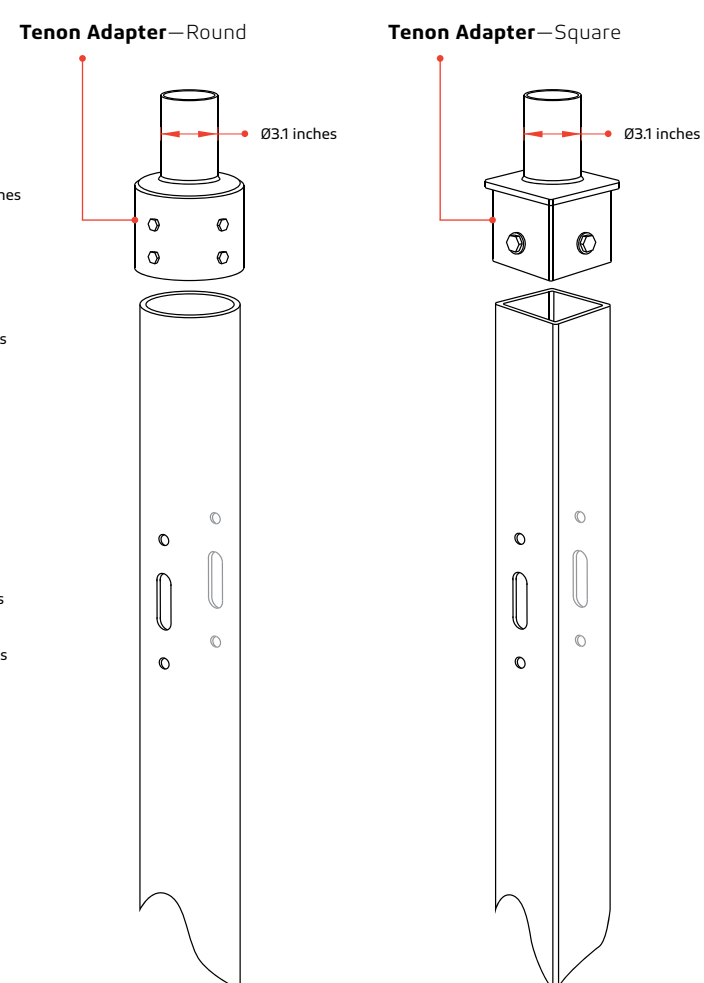
## POLE ASSEMBLY

Create 2 holes (0.5 inch diameter) in the middle of the pole, create another slotted hole (1.5 inch diameter, 2.6 inches long) between the 2 holes.

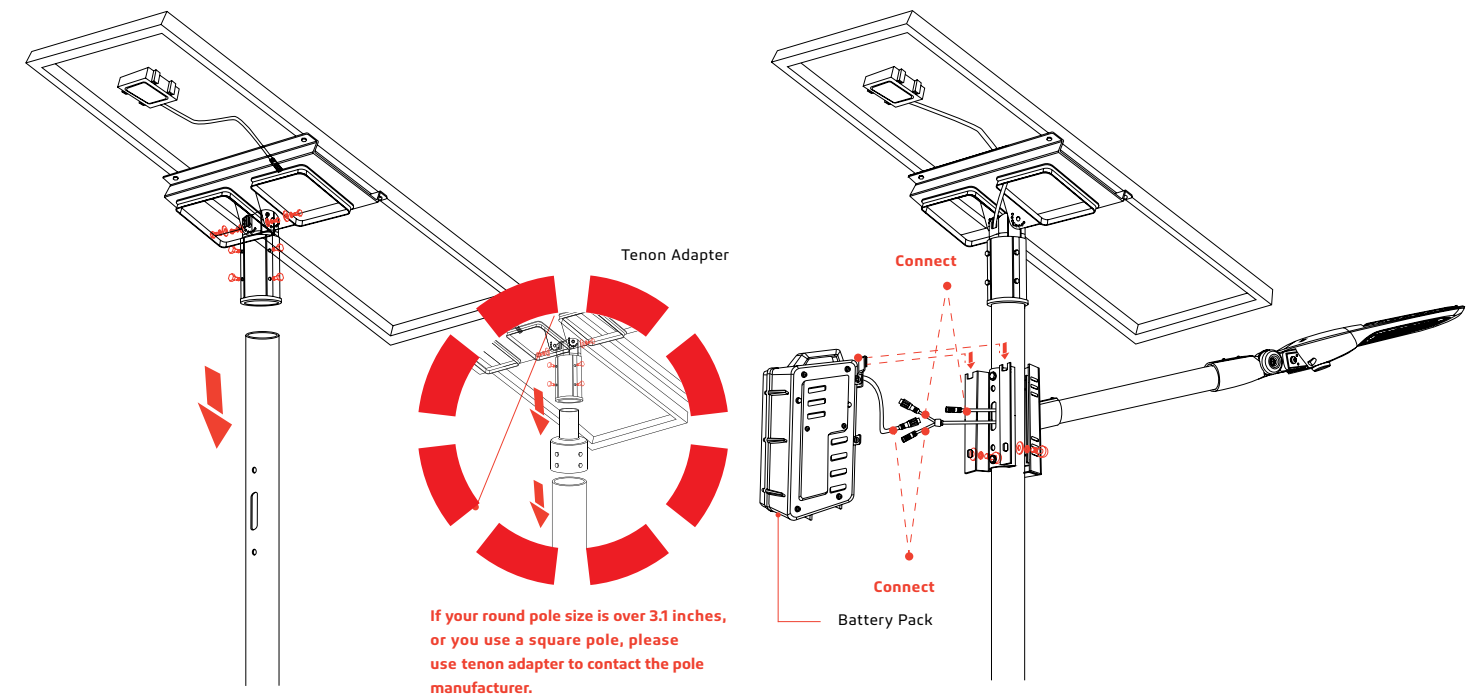


## TENON ADAPTER

If your round pole size is over 3.1 inches, or you use a square pole, please contact the pole manufacturer for the tenon adapter.



## (50W)



## (75W)

